

AKD4366

Evaluation board Rev.B for AK4366

GENERAL DESCRIPTION

AKD4366 is an evaluation board for 24bit DAC with built-in Headphone Amplifier, AK4366. The AKD4366 has the interface with AKM's ADC evaluation boards. Therefore, it's easy to evaluate the AK4366. The AKD4366 also has the digital audio interface and can achieve the interface with digital audio systems via opt-connector.

■ Ordering guide

AKD4366 --- Evaluation board for AK4366
 (Cable for connecting with printer port of IBM-AT compatible PC and control software are packed with this. This control software does not operate on Windows NT.)

FUNCTION

- **Compatible with 2 types of interface**
 - Direct interface with AKM's A/D converter evaluation boards
 - On-board AK4116 as DIR which accepts optical input
- **10pin header for serial control interface**

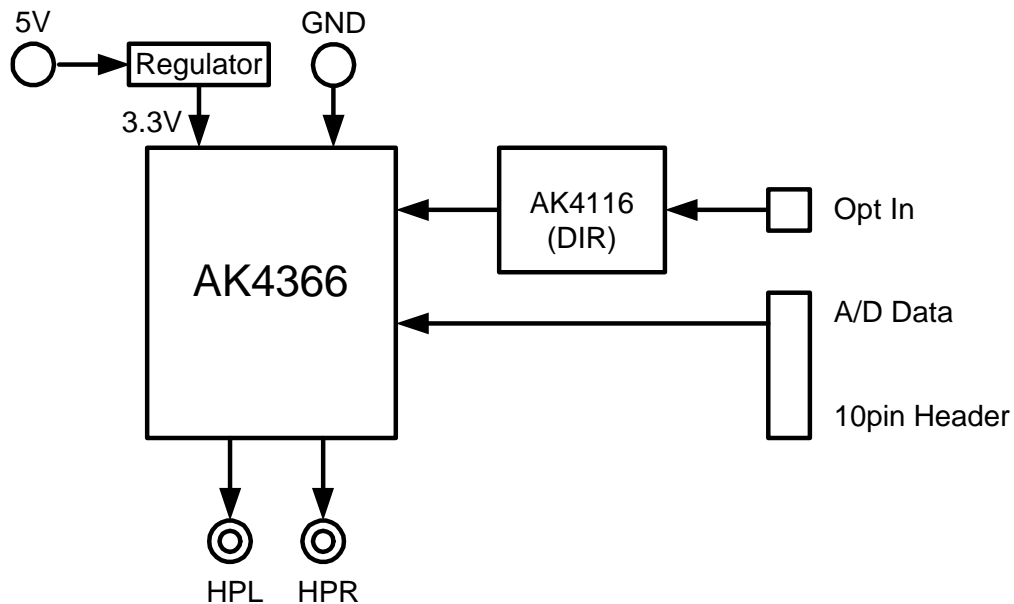


Figure 1. AKD4366 Block Diagram

* Circuit diagram and PCB layout are attached at the end of this manual.

1. Evaluation Board Manual

■ Operation sequence

- 1) Set up the power supply lines.

[+5V]	(red)	= 5V
[AGND]	(black)	= 0V : for analog ground
[DGND]	(black)	= 0V : for logic ground

Each supply line should be distributed from the power supply unit.

- 2) Set up the evaluation mode, jumper pins. (See the followings.)

- 3) Power on.

The AK4366 and AK4116 should be resets once bringing SW1 (DAC_PDN) and SW2 (DIR_PDN) “L” upon power-up.

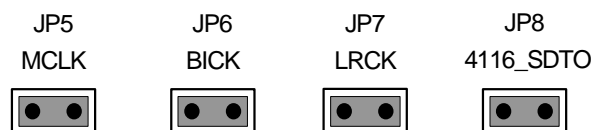
■ Evaluation mode

Applicable Evaluation Mode

- (1) In case of using DIR (Optical Link) <default>
- (2) In case of connecting AK4366 with a external DSP

- (1) In case of using DIR (Optical Link) <default>

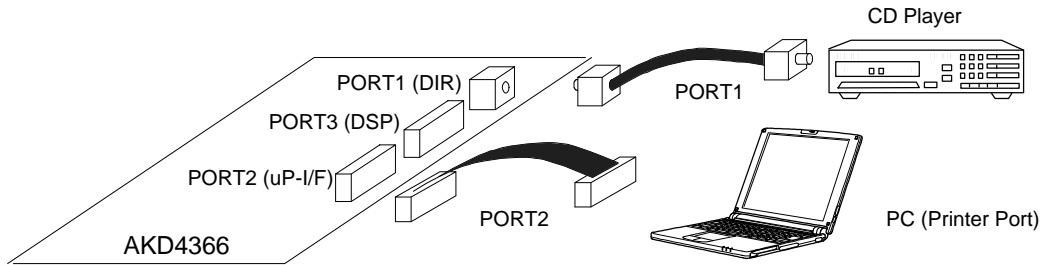
PORT1 (DIR) is used. DIR generates MCLK, BICK, LRCK and SDATA from the received data through optical connector (TORX141). Nothing should be connected to PORT3 (DSP).



■ How to evaluate AK4366 by connecting CD player

AKD4366 can evaluate tone quality easily by connecting CD Player (fs=44.1kHz).

1). Connection Diagram



2). Jumper and Switch Setting

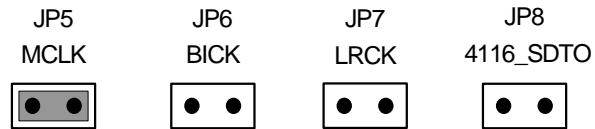
PORT1 (DIR) is used. DIR generates MCLK, BICK, LRCK and SDATA from the received data through optical connector (TORX141). Nothing should be connected to PORT3 (DSP).



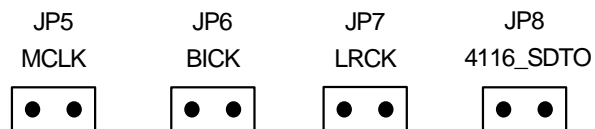
(2) In case of connecting AK4366 with a external DSP

AKD4366 can be connected with an external DSP through PORT3 (DSP).

(1) When BICK, LRCK and SDATA are supplied from DSP, and MCLK is supplied from AK4116.



(2) When MCLK, BICK, LRCK and SDATA are all supplied from DSP.



■ **The function of the toggle SW**

Upper-side is “H” and lower-side is “L”.

[SW1] (DAC_PDN) : Resets the AK4366. Keep “H” during normal operation.

[SW2] (DIR_PDN) : Resets the AK4116. Keep “H” during normal operation.

■ **Indication for LED**

[LED1] (ERF): Monitor INT0 pin of the AK4116. LED turns on when unlock or parity error occurs.

■ **Serial Control**

The AK4366 can be controlled via the printer port (parallel port) of IBM-AT compatible PC. Connect PORT2 (uP-I/F) with PC by 10 wire flat cable packed with the AKD4366.

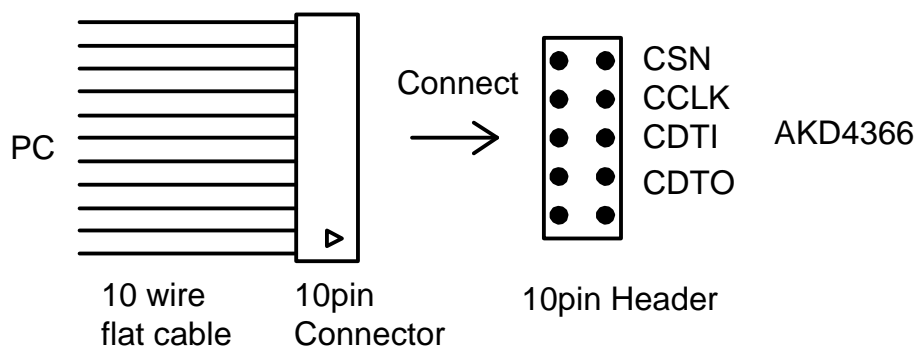


Figure 2. Connection of 10 wire flat cable

■ Output circuit & Set-up jumper pin for Output circuits

(1) Output Circuit

HPL, HPR Output circuit

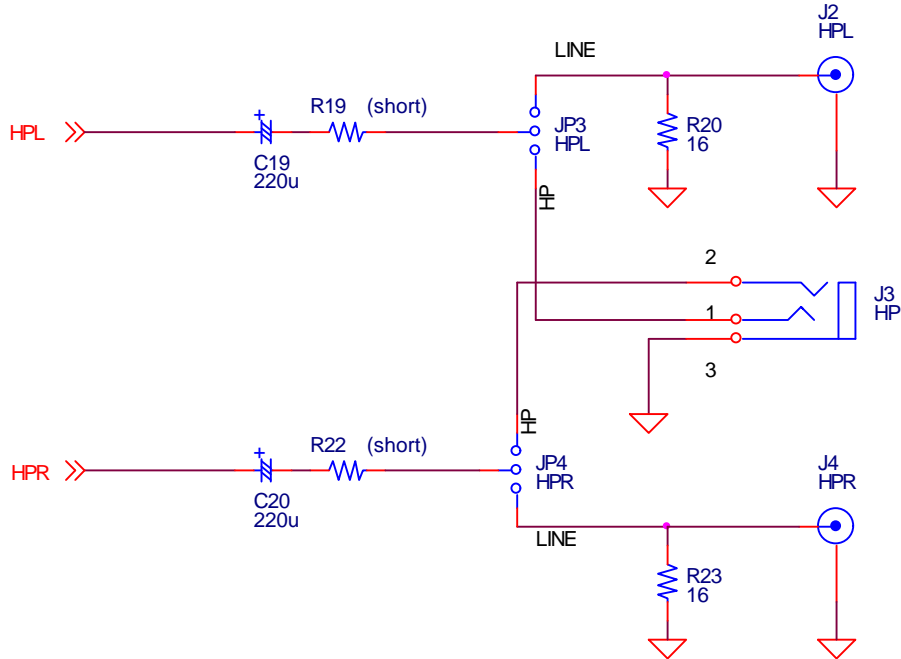
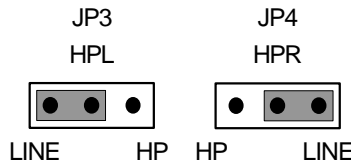
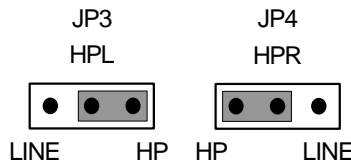


Figure 3. HPL, HPR Output circuit

1. Outputs of HPL and HPR pins are applied via J2 and J4.



2. Outputs of HPL and HPR pins are applied via J3 (mini jack).



(2) Other Jumper Pins

- (a) JP1 (GND) : Analog ground and digital ground
 - open :separated
 - short :common (The connector “DGND” can be open.) <default>

* AKM assumes no responsibility for the trouble when using the circuit examples.

2. Control Software Manual

■ Set-up of evaluation board and control software

1. Set up the AKD4366 according to previous term.
2. Connect IBM-AT compatible PC with AKD4366 by 10-line type flat cable (packed with AKD4366). Take care of the direction of 10pin header. (Please install the driver in the CD-ROM when this control software is used on Windows 2000/XP. Please refer "Installation Manual of Control Software Driver by AKM device control software". In case of Windows95/98/ME, this installation is not needed. This control software does not operate on Windows NT.)
3. Insert the CD-ROM labeled "AK4366 Evaluation Kit" into the CD-ROM drive.
4. Access the CD-ROM drive and double-click the icon of "akd4366.exe" to set up the control program.
5. Then please evaluate according to the follows.

■ Operation flow

Keep the following flow.

1. Set up the control program according to explanation above.
2. Click "Port Setup" button.
3. Click "Write default" button.

Then set up the dialog and input data.

■ Explanation of each buttons

1. [Port Setup] : Set up the printer port.
2. [Write default] : Initialize the register of AK4366.
3. [Function1] : Dialog to write data by keyboard operation.
4. [Function2] : Dialog to evaluate ATT.
5. [Write] : Dialog to write data by mouse operation.

■ Explanation of each dialog

1. [Function1 Dialog] : Dialog to write data by keyboard operation

Address Box: Input register address in 2 figures of hexadecimal.
Data Box: Input register data in 2 figures of hexadecimal.

If you want to write the input data to AK4366, click “OK” button. If not, click “Cancel” button.

2. [Function2 Dialog] : Dialog to evaluate ATT

This dialog corresponds to only addr=04H, and 05H.

Address Box: Input register address in 2 figures of hexadecimal.
Start Data Box: Input start data in 2 figures of hexadecimal.
End Data Box: Input end data in 2 figures of hexadecimal.
Interval Box: Data is written to AK4366 by this interval.
Step Box: Data changes by this step.
Mode Select Box:

If you check this check box, data reaches end data, and returns to start data.

[Example] Start Data = 00, End Data = 09
Data flow: 00 01 02 03 04 05 06 07 08 09 09 08 07 06 05 04 03 02 01 00

If you do not check this check box, data reaches end data, but does not return to start data.

[Example] Start Data = 00, End Data = 09
Data flow: 00 01 02 03 04 05 06 07 08 09

If you want to write the input data to AK4366, click “OK” button. If not, click “Cancel” button.

3. [Write Dialog] : Dialog to write data by mouse operation

There are dialogs corresponding to each register.

Click the “Write” button corresponding to each register to set up the dialog. If you check the check box, data becomes “H” or “1”. If not, “L” or “0”.

If you want to write the input data to AK4366, click “OK” button. If not, click “Cancel” button.

■ Indication of data

Input data is indicated on the register map. Red letter indicates “H” or “1” and blue one indicates “L” or “0”. Blank is the part that is not defined in the datasheet.

■ Attention on the operation

If you set up Function1 or Function2 dialog, input data to all boxes. Attention dialog is indicated if you input data or address that is not specified in the datasheet or you click “OK” button before you input data. In that case set up the dialog and input data once more again. These operations does not need if you click “Cancel” button or check the check box.

MEASUREMENT RESULTS

[Measurement condition]

- Measurement unit : Audio Precession System Two Cascade
- MCLK : 12.2896MHz
- BICK : 64fs
- fs : 44.1kHz
- Bit : 24bit
- Power Supply : VDD = HVDD = 3.3V
- Measurement Filter : 10Hz ~ 20kHz
- Temperature : Room

Parameter	Result (Lch / Rch)	Unit
DAC Analog Output Characteristics		
S/(N+D) (-3dBFS Output)	56.8 / 56.1	dB
D-Range (-60dB Output, A-weighted)	93.0 / 93.0	dB
S/N (A-weighted)	94.9 / 93.8	dB

[Plot of Headphone Amplifier]

AKM

AK4366 HP-Amp THD+N vs. Input Level (fs=44.1kHz, fln=1kHz)

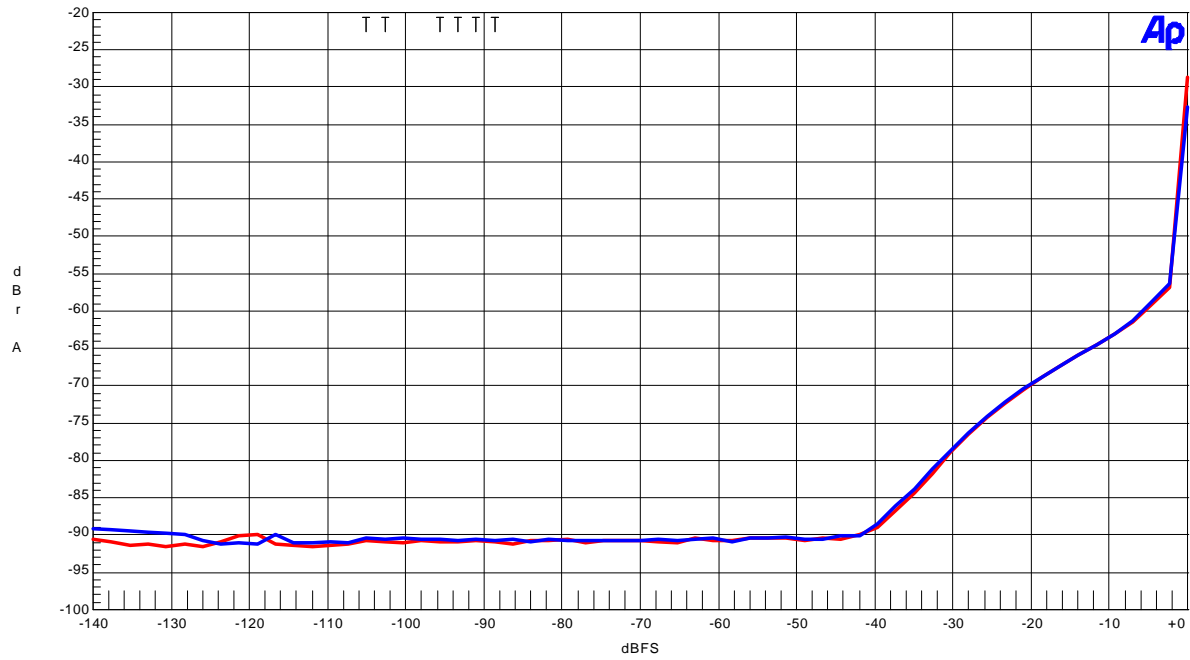


Figure 1. THD+N vs. Input Level

AKM

AK4366 HP-Amp THD+N vs. fin (fs=44.1kHz, Input Level=-3dB)

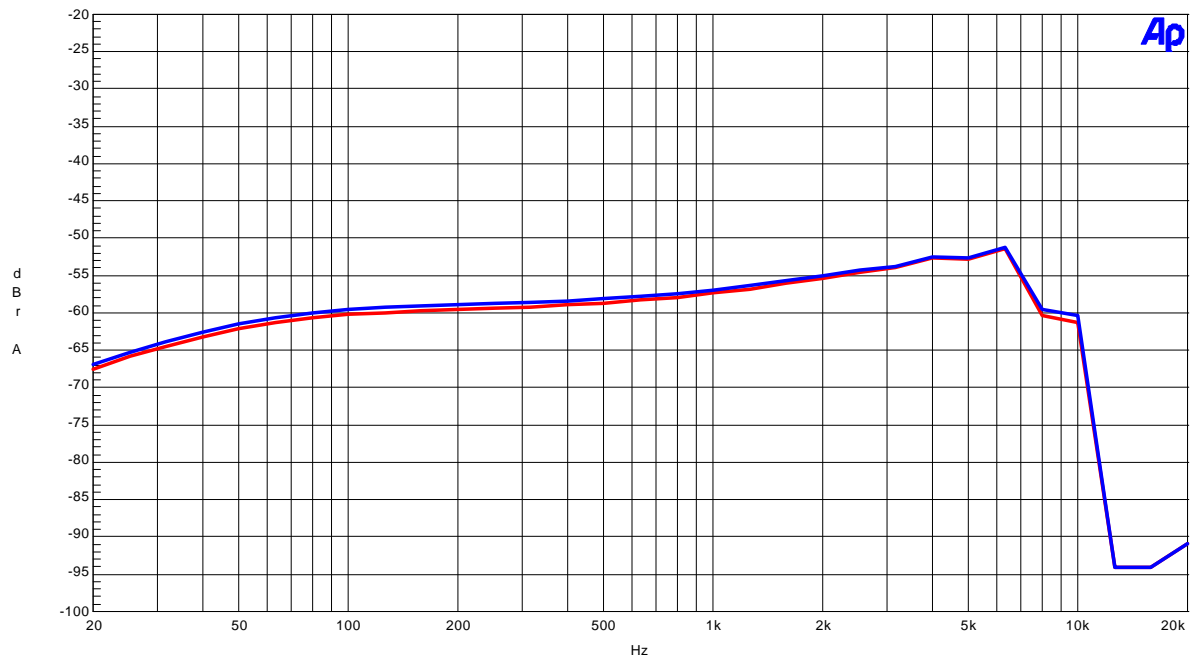


Figure 2. THD+N vs. Input Frequency

AKM

AK4366 HP-Amp Linearity (fs=44.1kHz, fin=1kHz)

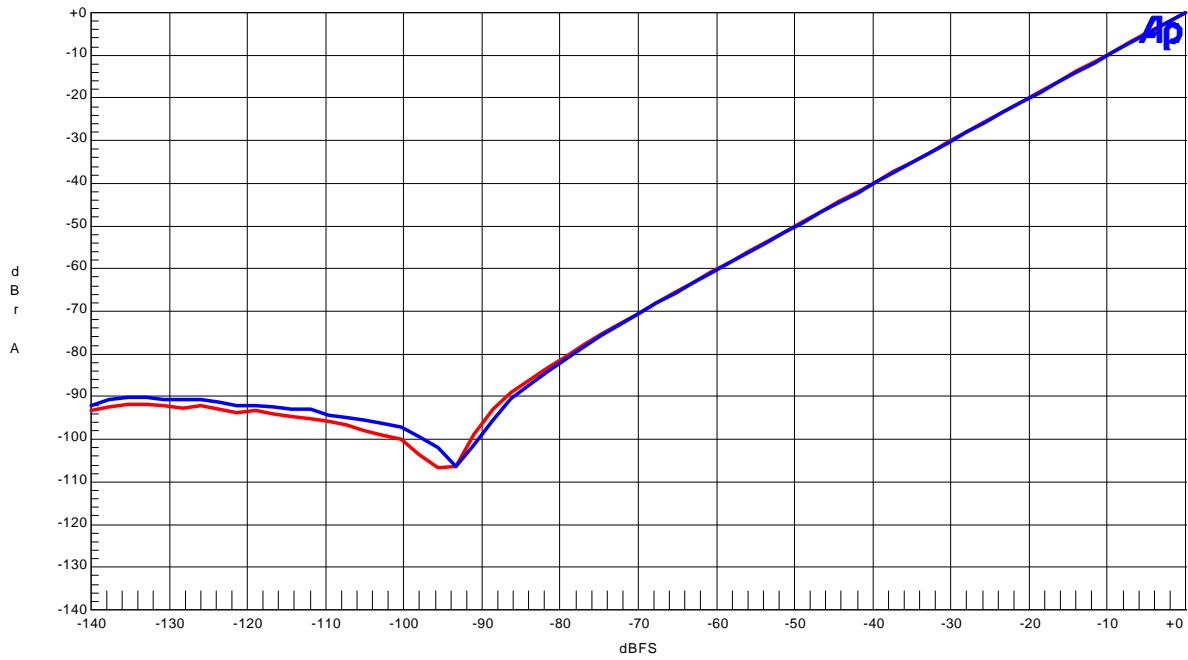


Figure 3. Linearity

AKM

AK4366 HP-Amp Frequency Response (fs=44.1kHz, Input Level=-3dB)

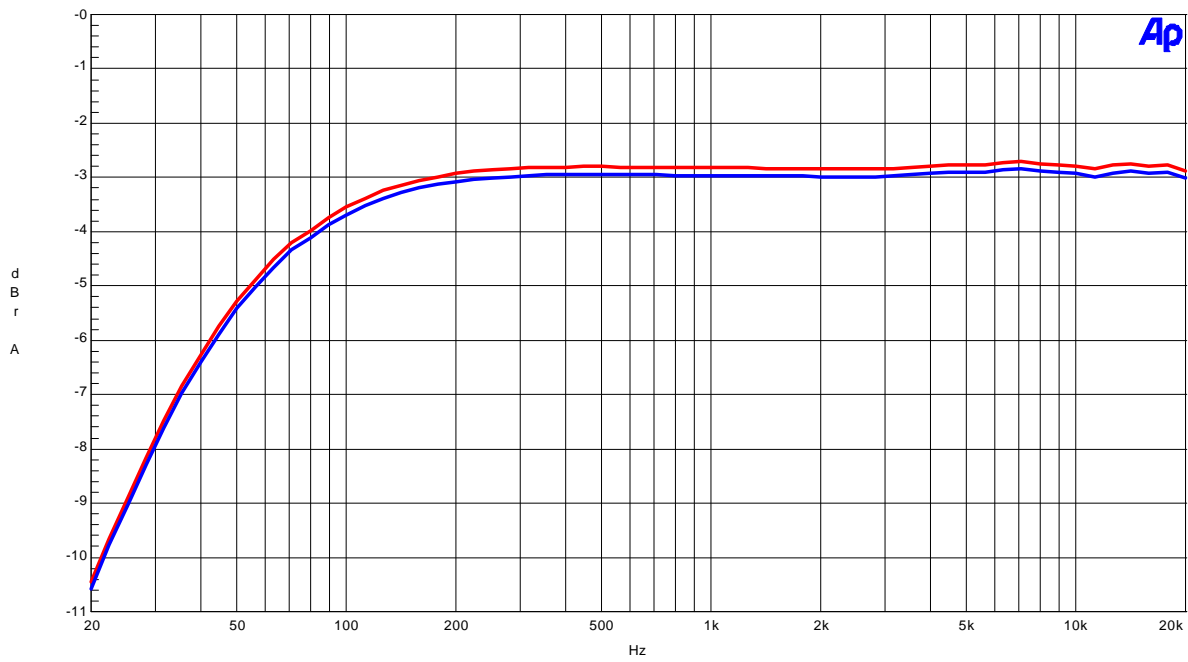


Figure 4. Frequency Response (Boost off)
(including external HPF)

AKM

AK4366 HP-Amp FFT Out-of-band Noise

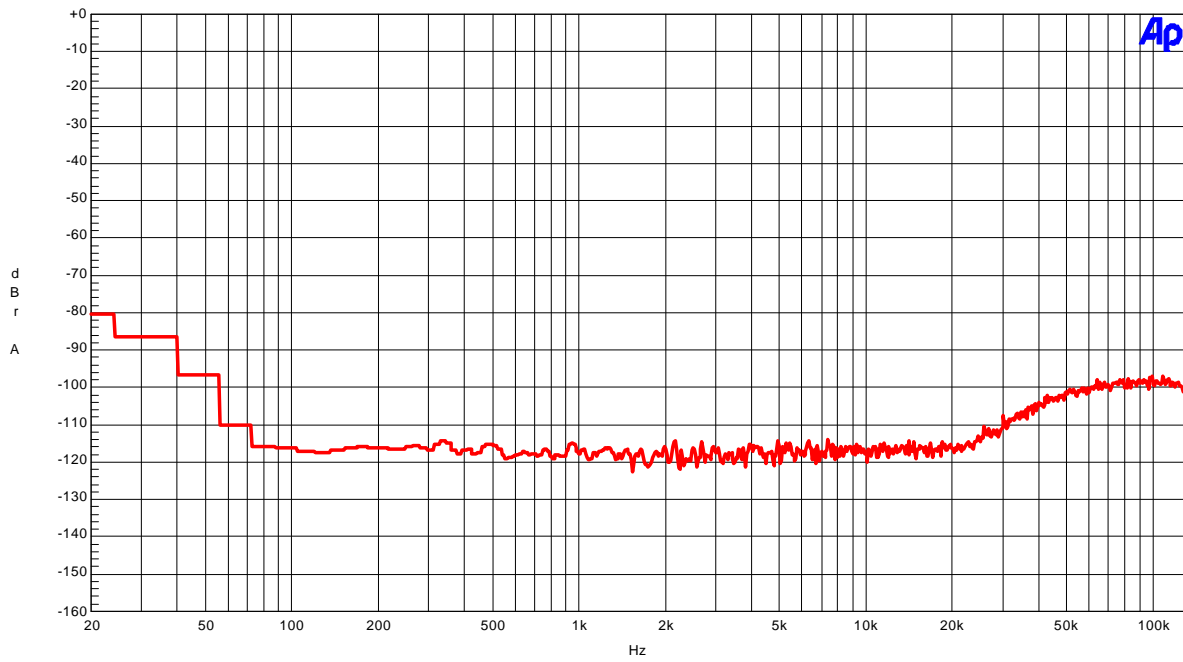


Figure 5. Out-band Noise

AKM

AK4366 HP-Amp FFT (fs=44.1kHz, fin=1kHz, Input Level=-3dB)

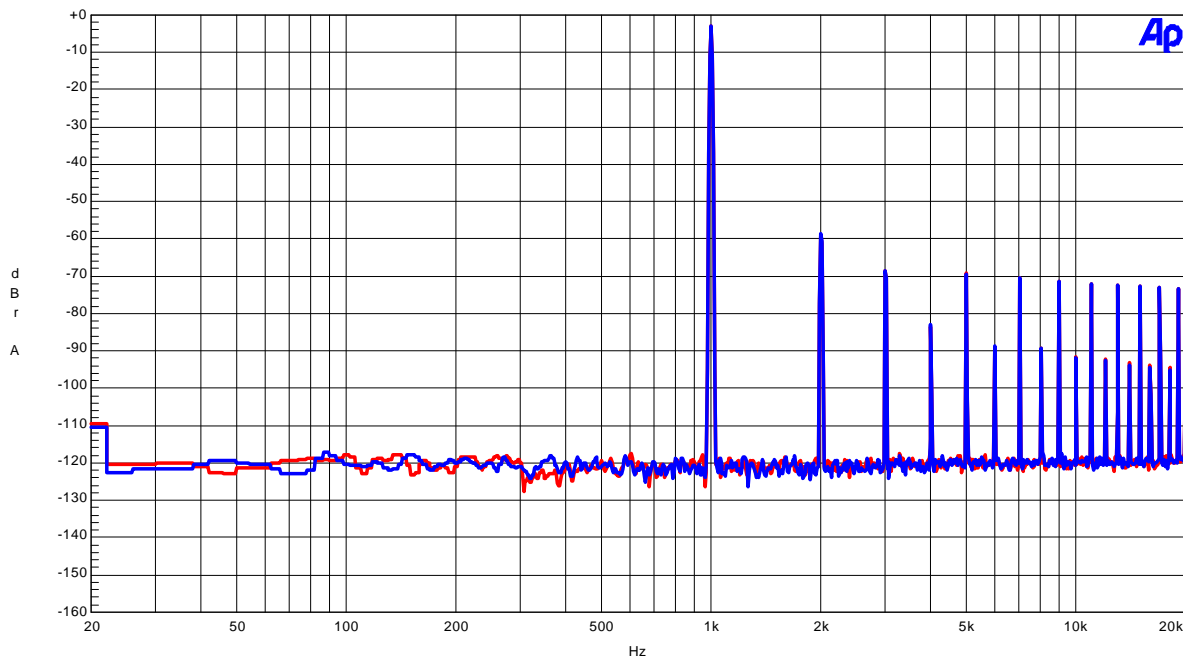


Figure 6. FFT Plot

AKM

AK4366 HP-Amp FFT (fs=44.1kHz, fin=1kHz, Input Level=-60dB)

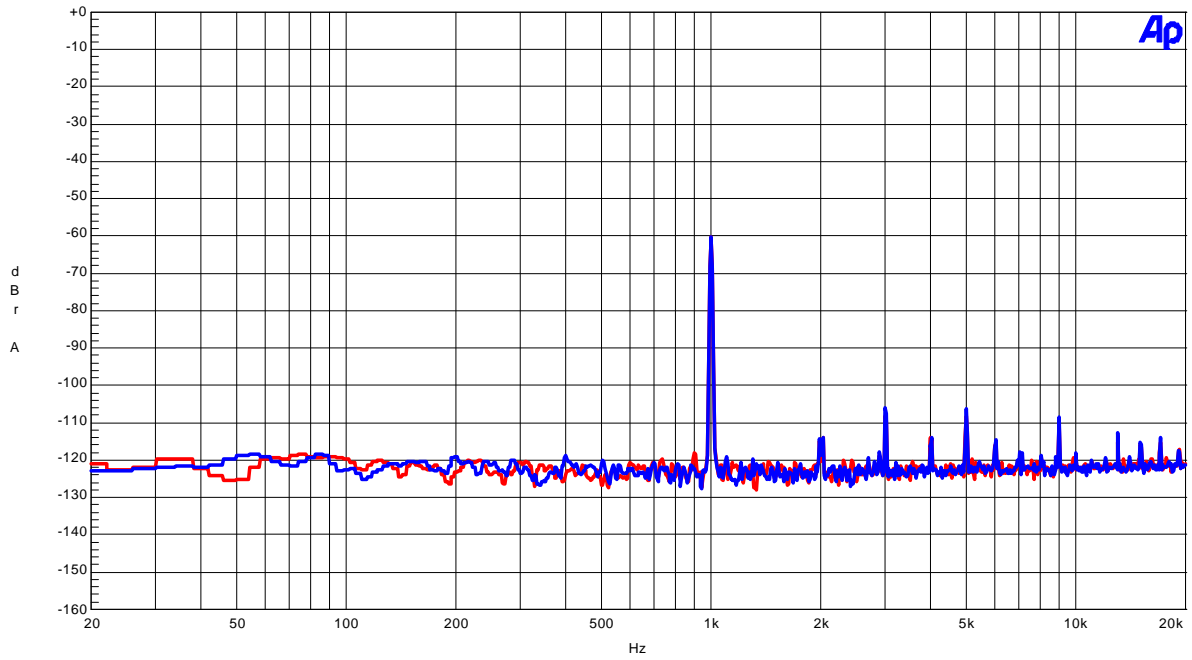


Figure 7. FFT Plot

AKM

AK4366 HP-Amp FFT Noise Floor (No data Input)

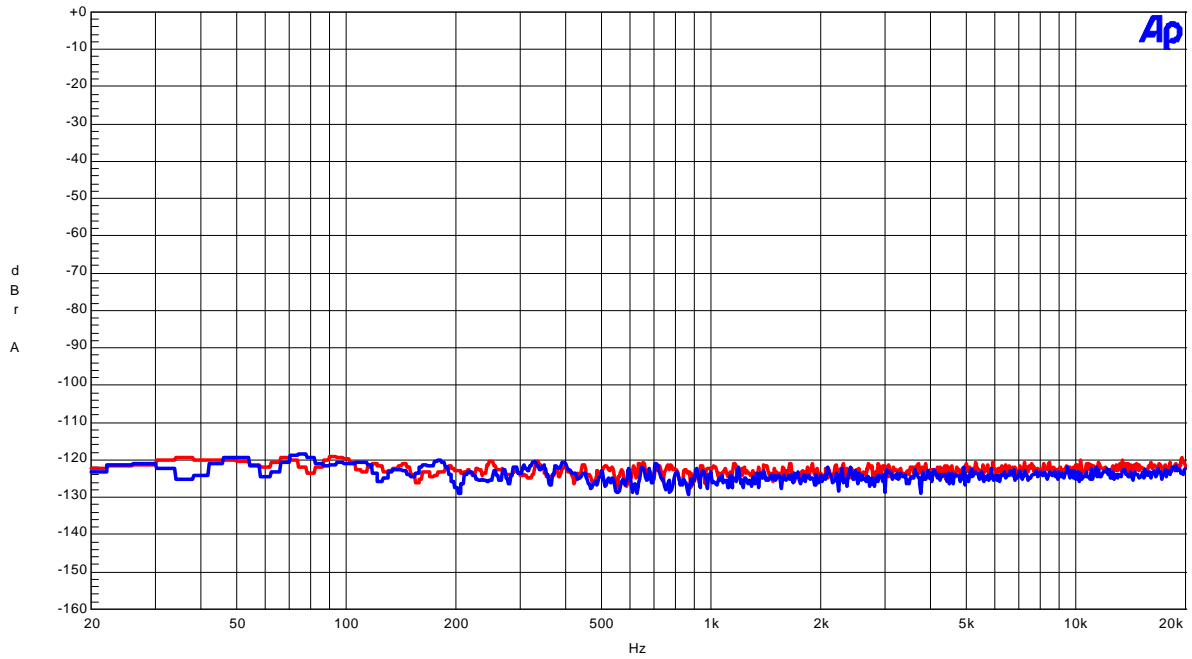


Figure 8. FFT Plot

AKM

AK4366 HP-Amp Crosstalk (fs=44.1kHz, Input Level=-3dB)
Upper@1kHz:Lch-->Rch, Lower@1kHz:Rch-->Lch

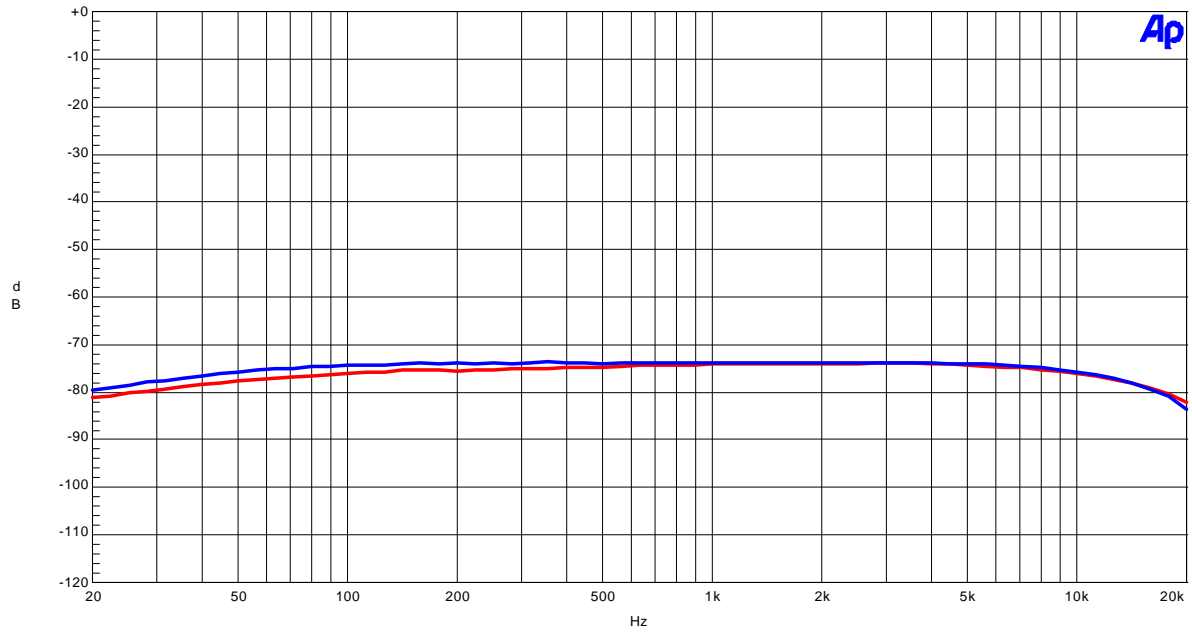
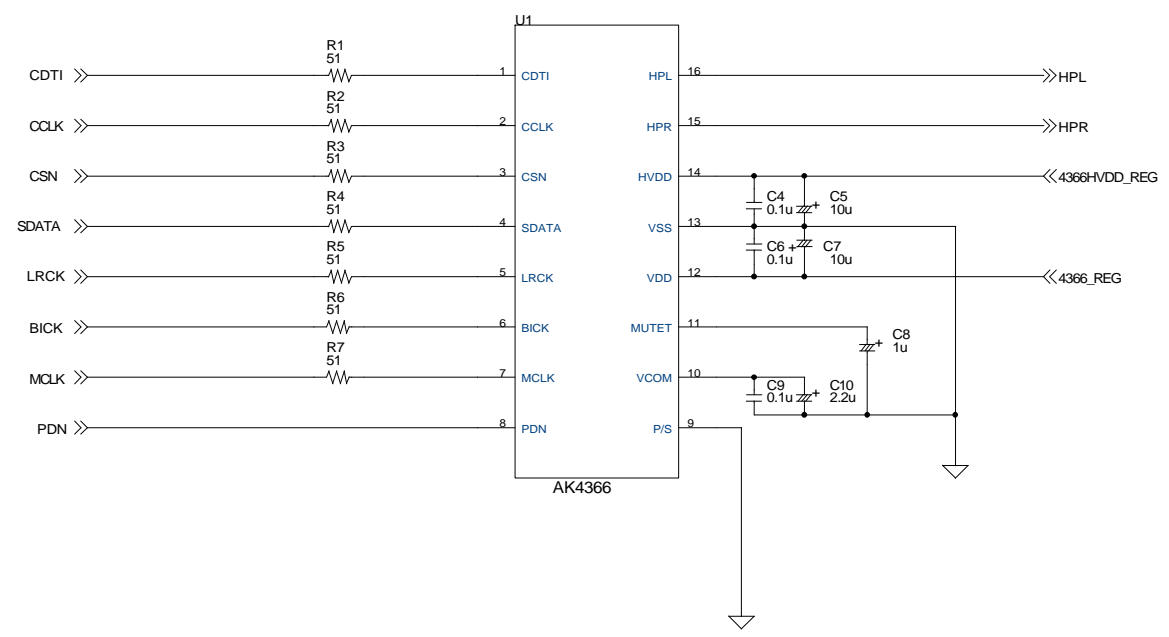
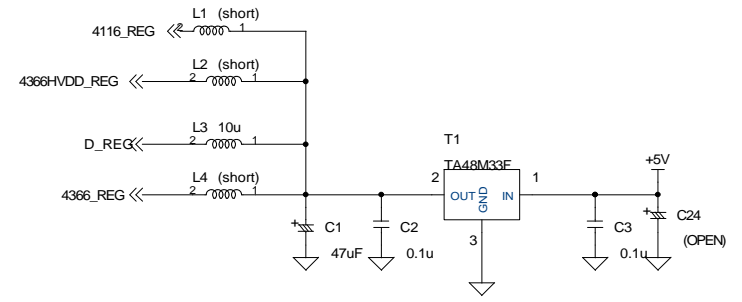
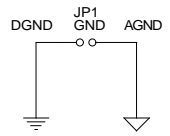


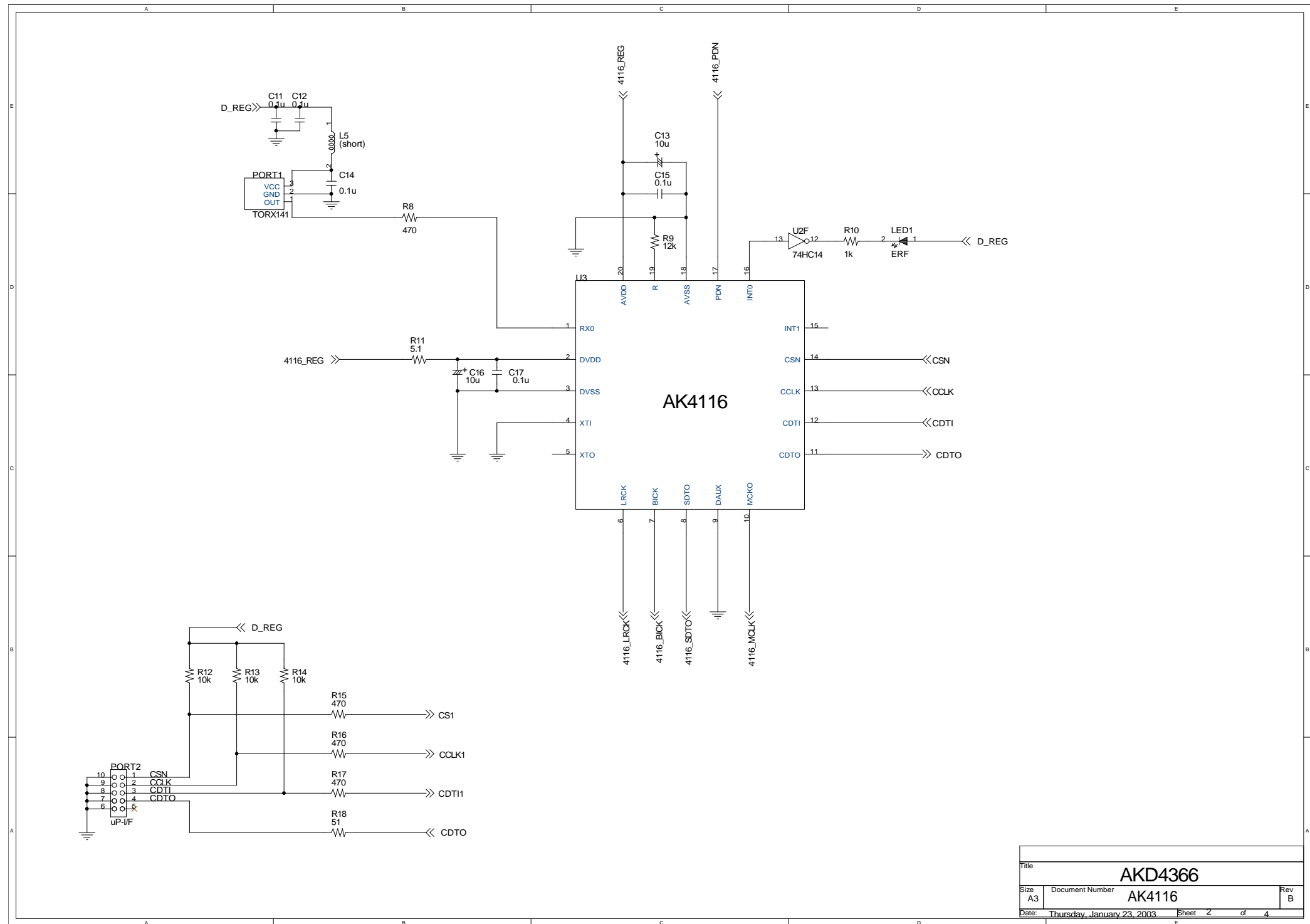
Figure 9. Crosstalk Plot

IMPORTANT NOTICE

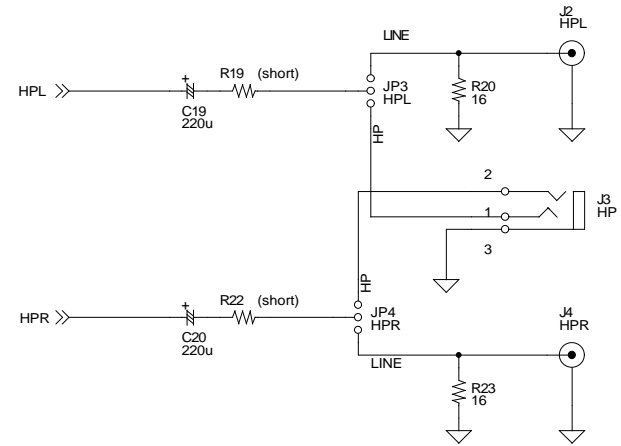
- These products and their specifications are subject to change without notice. Before considering any use or application, consult the Asahi Kasei Microsystems Co., Ltd. (AKM) sales office or authorized distributor concerning their current status.
- AKM assumes no liability for infringement of any patent, intellectual property, or other right in the application or use of any information contained herein.
- Any export of these products, or devices or systems containing them, may require an export license or other official approval under the law and regulations of the country of export pertaining to customs and tariffs, currency exchange, or strategic materials.
- AKM products are neither intended nor authorized for use as critical components in any safety, life support, or other hazard related device or system, and AKM assumes no responsibility relating to any such use, except with the express written consent of the Representative Director of AKM. As used here:
 - (a) A hazard related device or system is one designed or intended for life support or maintenance of safety or for applications in medicine, aerospace, nuclear energy, or other fields, in which its failure to function or perform may reasonably be expected to result in loss of life or in significant injury or damage to person or property.
 - (b) A critical component is one whose failure to function or perform may reasonably be expected to result, whether directly or indirectly, in the loss of the safety or effectiveness of the device or system containing it, and which must therefore meet very high standards of performance and reliability.
- It is the responsibility of the buyer or distributor of an AKM product who distributes, disposes of, or otherwise places the product with a third party to notify that party in advance of the above content and conditions, and the buyer or distributor agrees to assume any and all responsibility and liability for and hold AKM harmless from any and all claims arising from the use of said product in the absence of such notification.



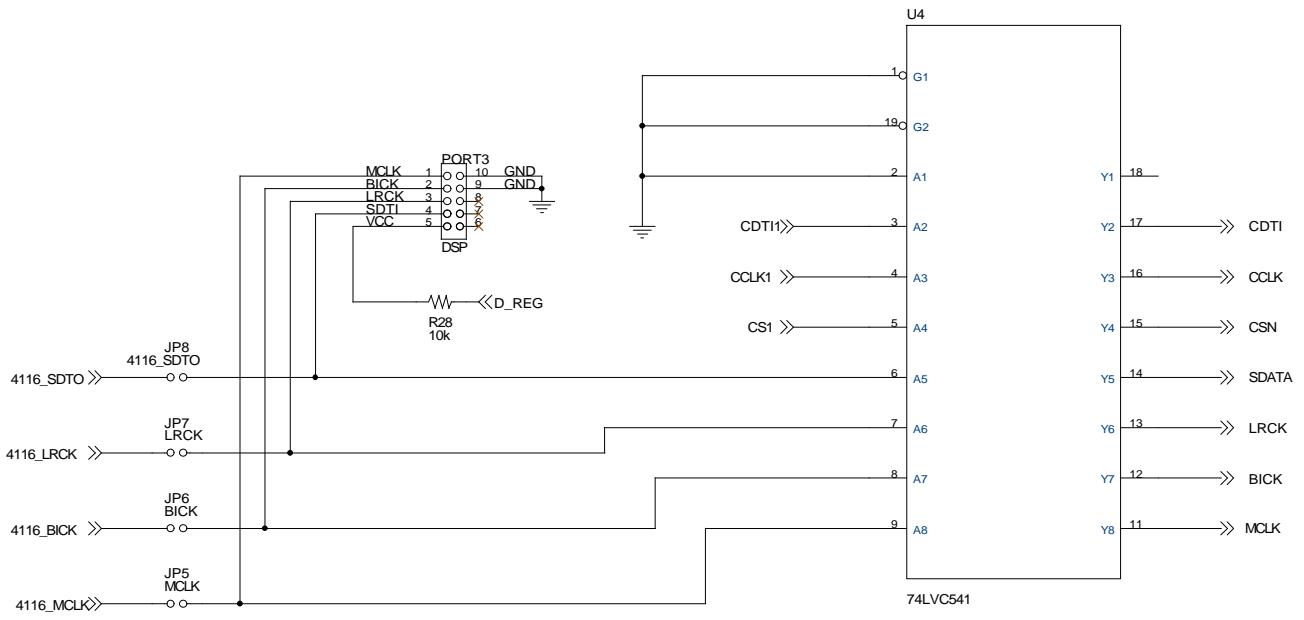
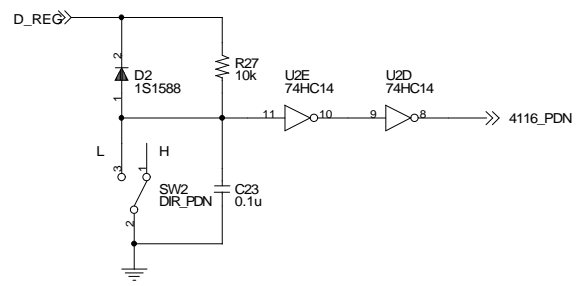
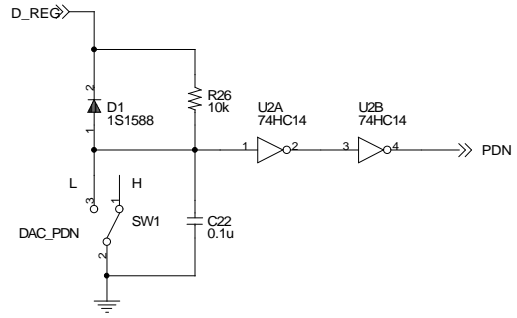
Title			AKD4366		
Size	Document Number			Rev	
A3	AK4366			B	
Date:	Thursday, January 23, 2003	Sheet	1	of	4



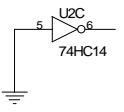
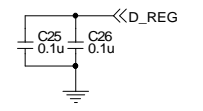
Title		
AKD4366		
Size	Document Number	Rev
A3	AK4116	B
Date:	Thursday, January 23, 2003	Sheet 2 of 4



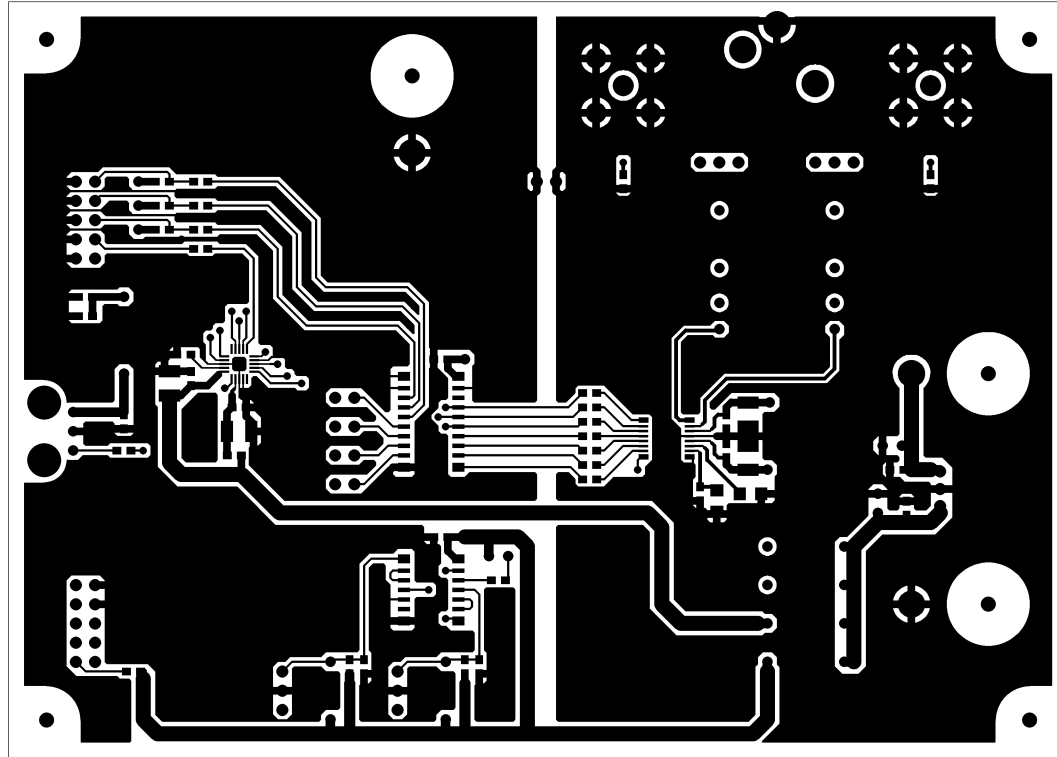
Title		AKD4366	
Size	Document Number	Rev	
A3	Analog	B	
Date: Thursday, January 23, 2003		Sheet	3 of 4



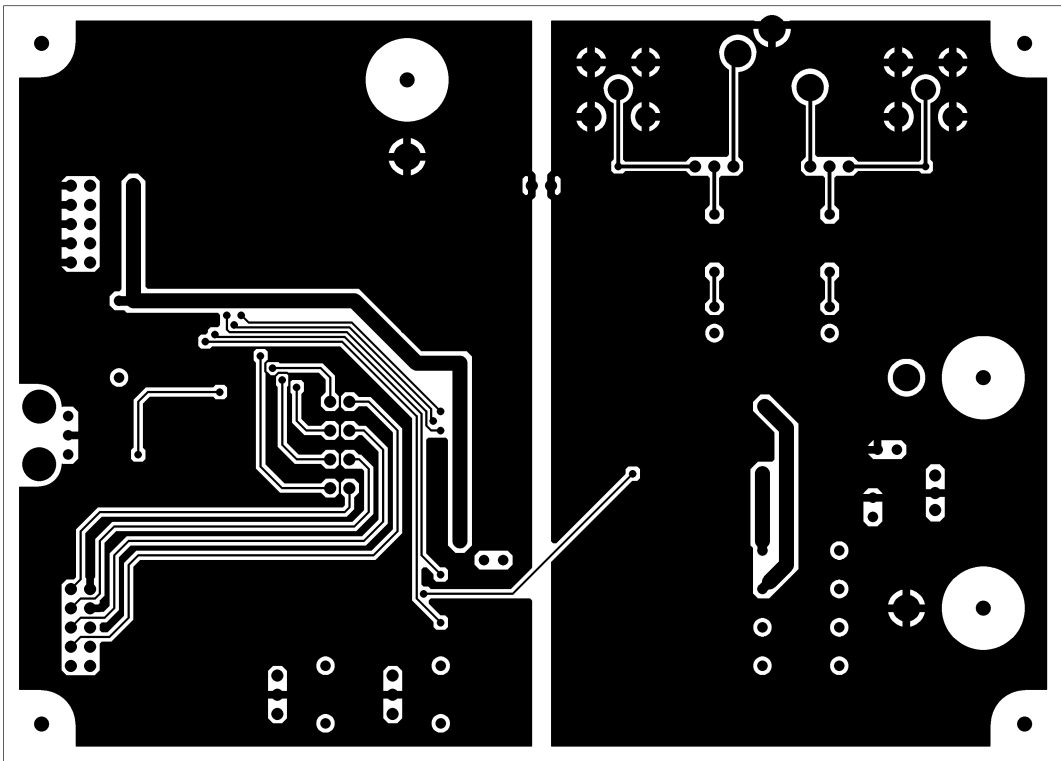
for 74LVC541, 74HC14



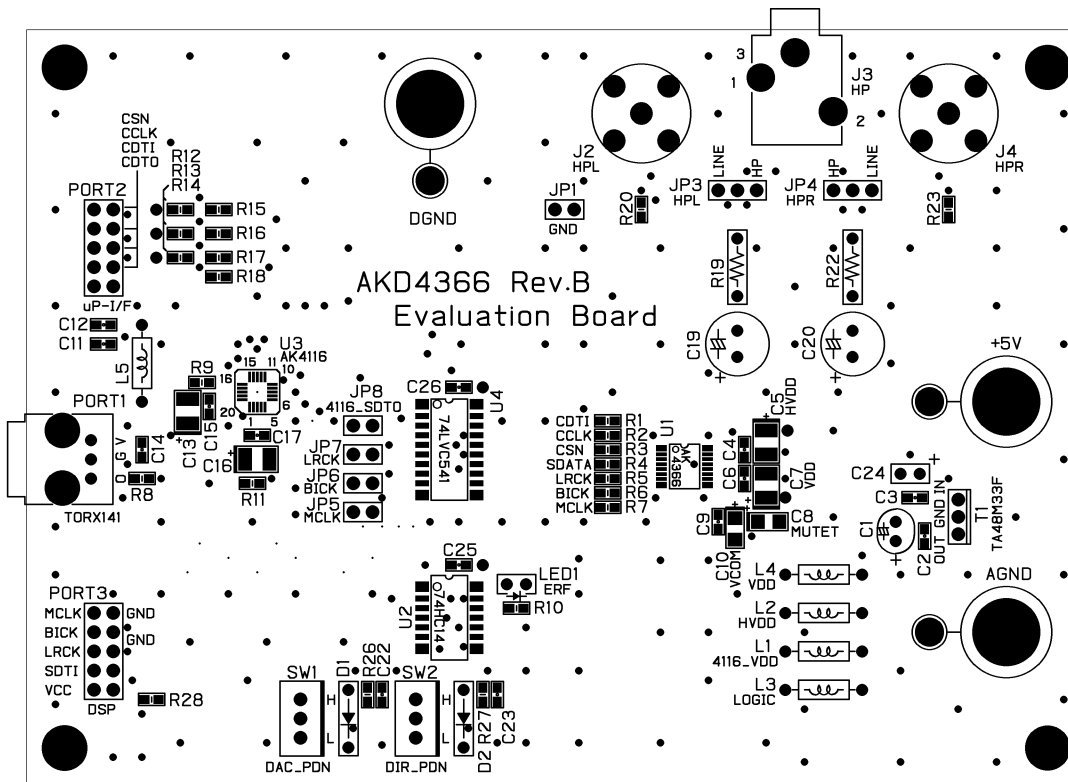
Title			AKD4366		
Size	Document Number	Interface		Rev	B
A3					
Date:	Thursday, January 23, 2003	Sheet	4	of	4



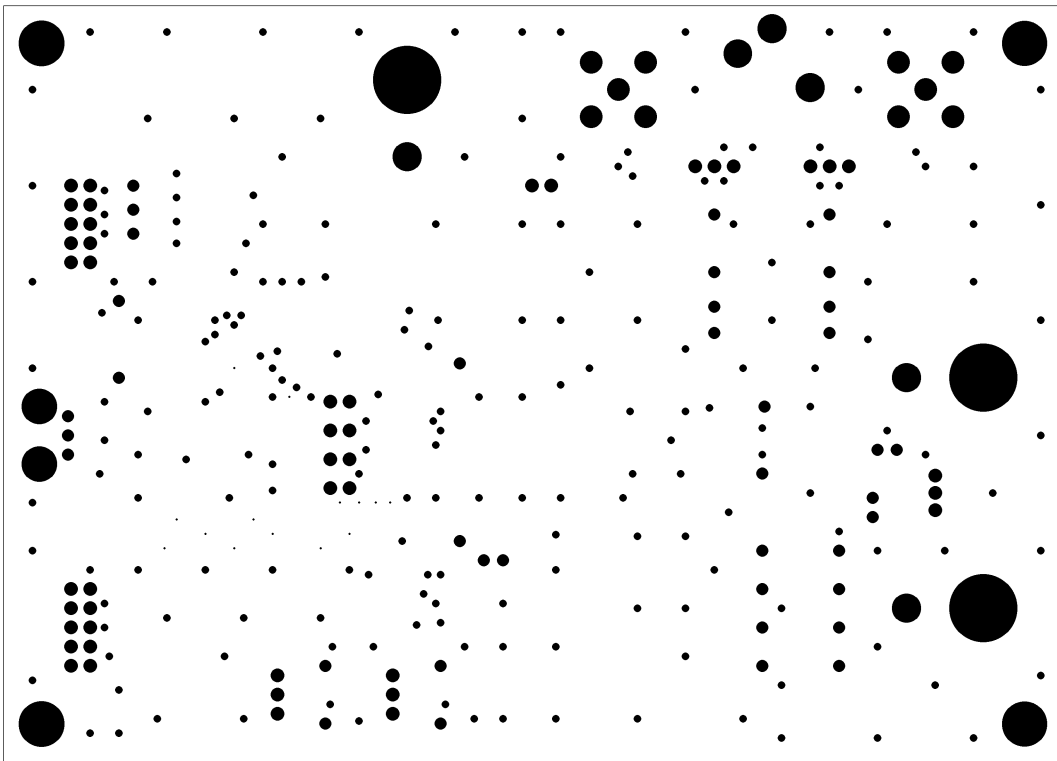
AKD4366 Rev.B L1



AKD4366 Rev.B LS



AKD4366 Rev.B L1 SR SILK



AKD4366 Rev.B LS 2R